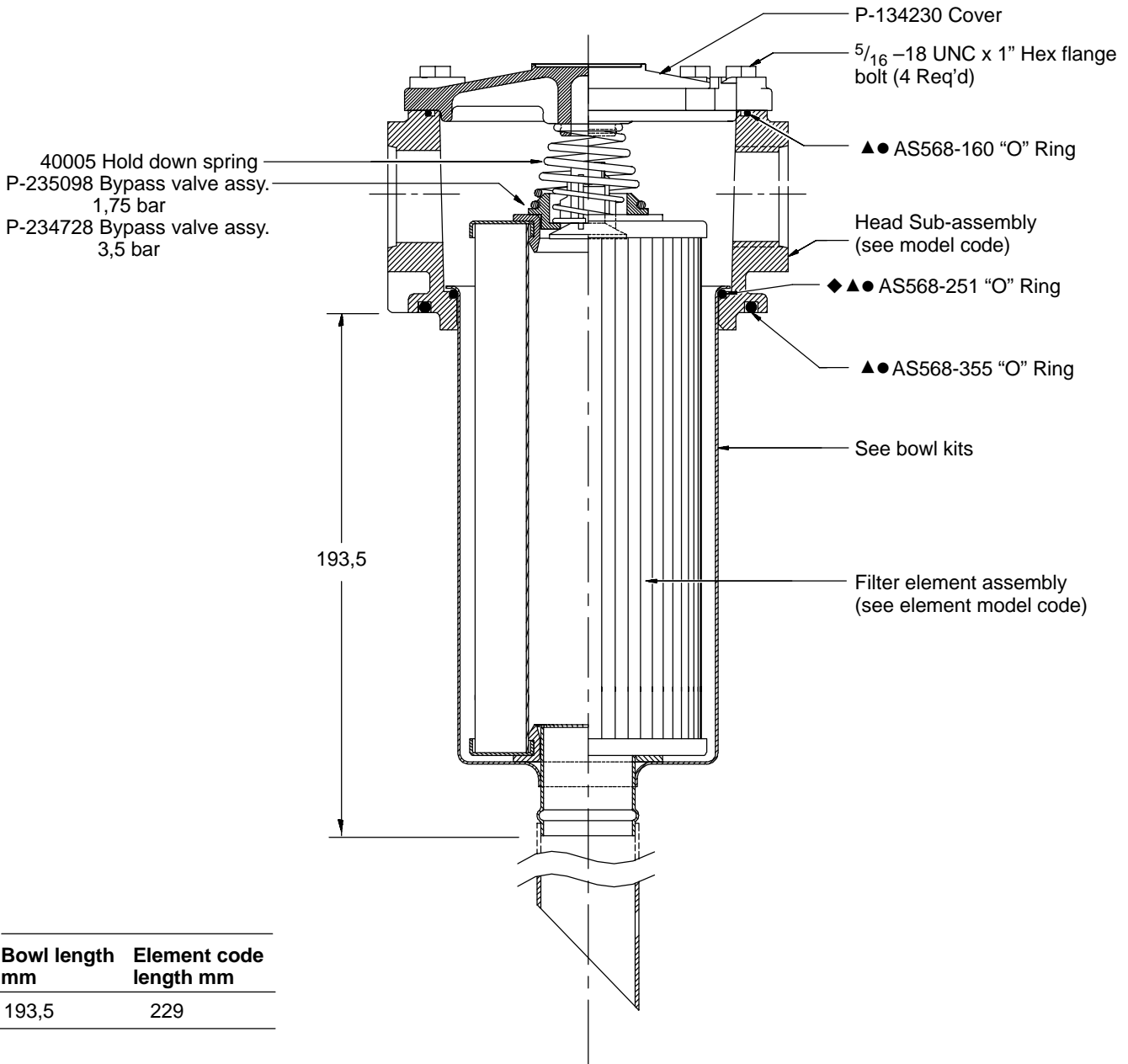


Vickers®

Filters

Service Data

High Performance/Low Pressure Filter Flows to 189 L/min ML15 Series



| Bowl length mm | Element code length mm |
|-------------------|---------------------------|
| 193,5 | 229 |

NOTE: Bowl kits contain Buna-N seals, to order Viton seals, replace **B** in partnumber with a **V**.

Example:

From: P-234930-01**B**, for Buna.

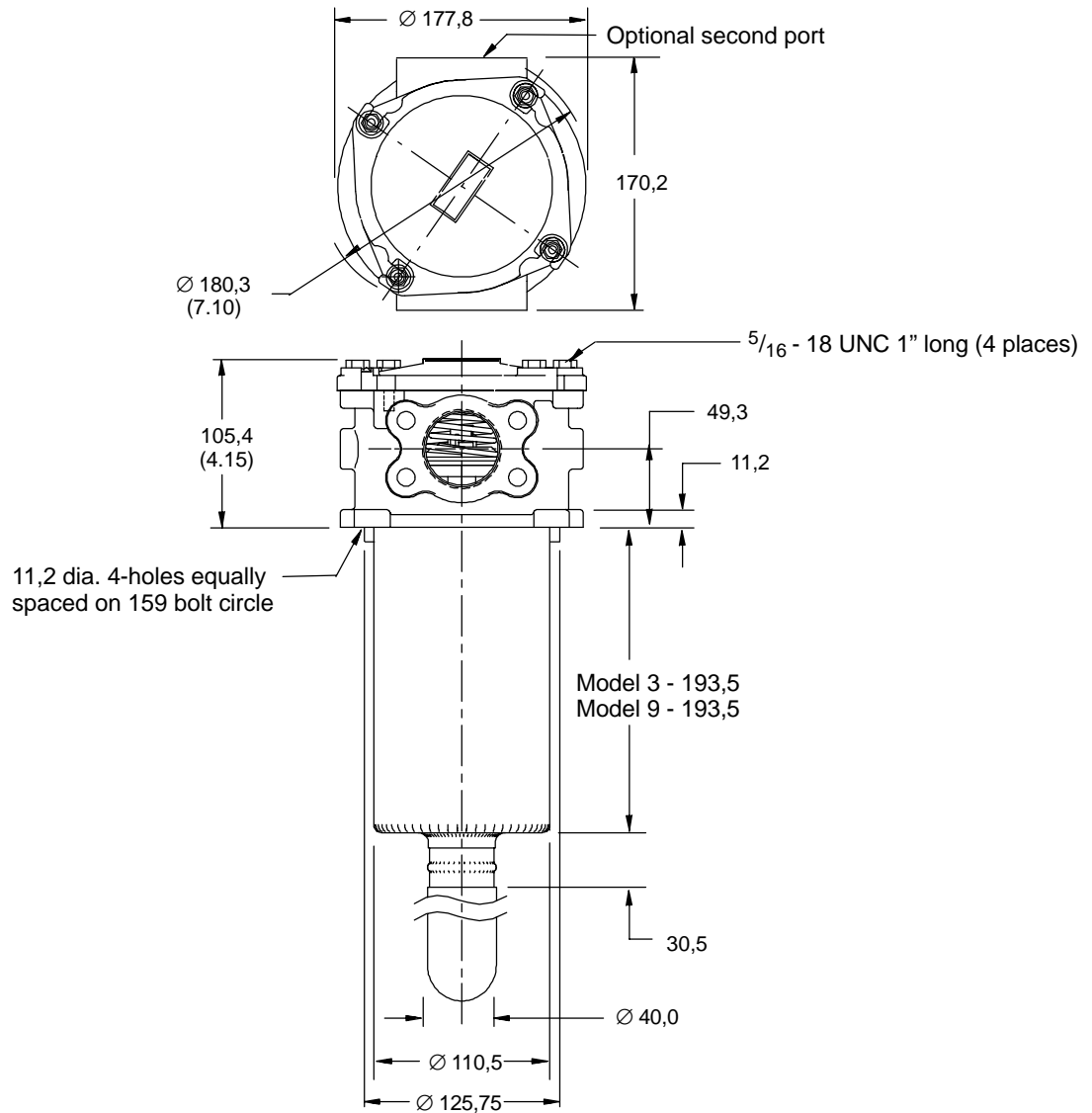
To: P-234930-01**V**, for Viton.

- ▲ Included in seal kit P-233055-01 Buna
- Included in seal kit P-233055-03 Viton
- ◆ Included in Bowl kit P-234930

Bowl kits contain (Bowl, "O" Ring)

ML15 Housing Dimensions

mm



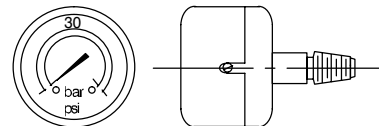
Accessories

Electrical Switch

| | |
|------------------------------|-------------|
| Switch 1,2 bar Brad Harrison | P-234117-01 |
| Switch 2,4 bar Brad Harrison | P-234118-01 |
| Switch 1,2 bar DIN | P-233051-01 |
| Switch 2,4 bar DIN | P-233573-01 |

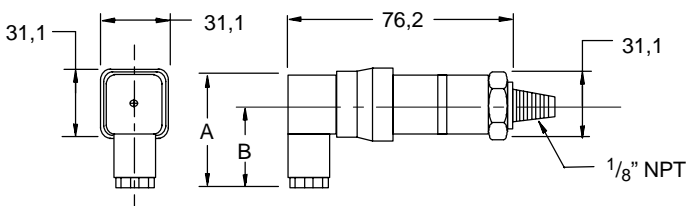
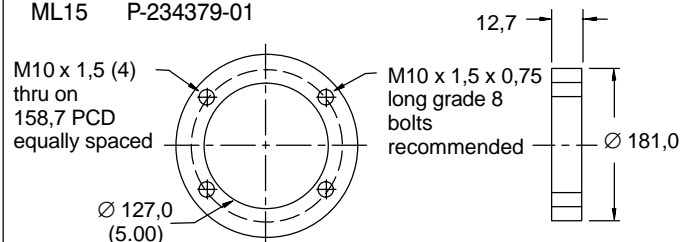
Gauge

| | | |
|------|-------------|---------------------|
| ML15 | P-232965-01 | 0-4 bar color coded |
| | P-232974-01 | 0-14 bar |



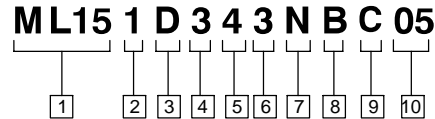
Weld Flange

| | |
|------|-------------|
| ML15 | P-234379-01 |
|------|-------------|



| Connector | A | B |
|---------------|------|------|
| DIN 43650 | 48,2 | 34,9 |
| Brad Harrison | 59,2 | 45,7 |

Head Sub-assembly Model Code



1 Filter series

ML15

2 Element collapse rating

1 – 10 bar

3 Port option

C – G 1¹/₄" to ISO 228
E – 1¹/₂" SAE-J518 4-bolt split flange Code 61 with M12

4 Valve bypass setting option

3 – Bypass set at 1.75 ± 0.21 bar cracking pressure.
4 – Bypass set at 3.5 ± 0.35 bar cracking pressure.

Indicator Selection Guide

| Bypass | Indicator |
|----------|------------|
| 3 | 1, 4, 6, 8 |
| 4 | 1, 2, 7, 9 |

5 Indicator type

1 – No indicator, pipe plug installed
2 – 0 to 14 bar press. gage
4 – 0 to 4,14 bar pressure gage
6 – Electrical switch 1,2 bar Brad Harrison
7 – Electrical switch 2,4 bar Brad Harrison
8 – Electrical switch 1,2 bar DIN 43650
9 – Electrical switch 2,4 bar DIN 43650

| 6 Bowl length mm (in) | Element code length mm (in) |
|-----------------------|-----------------------------|
|-----------------------|-----------------------------|

| | |
|---|------------|
| 3 – 193,5 (7.62) | 229, (9.0) |
| 9 – 193,5 (7.62) with 305 (12) extension tube | 229, (9.0) |
| S50 – Head sub-assembly only (no element, bowl or indicator) | |

7 Secondary port option

C – G 1¹/₄" to ISO 228
Z – 1¹/₂" SAE 4-bolt split flange Code 61
N – No secondary port.

8 Seal material

B – Buna-N
V – Viton-A

9 Element construction

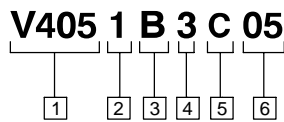
C – C-pak (1,3,5,10 & 20 grade)

10 Fluid cleanliness ratings

| Code | Fluid cleanliness level | Element construction |
|-----------|-------------------------|----------------------|
| 03 | 16/14/12 or better | C-pak |
| 05 | 18/16/14 or better | C-pak |
| 10 | 20/18/15 or better | C-pak |
| 20 | 22/19/16 or better | C-pak |

This table assumes limited ingress/single pass of pump flow through the element. For detailed assistance, consult Vickers Guide to Systemic Contamination Control or contact you local Vickers Distributor.

Element Model Code



1 Filter element

V405 – For use with ML15 series filters

2 Element collapse rating

1 – 10 bar

3 Seal material

B – Buna-N
V – Viton-A

| 4 Bowl length mm (in) | Element code length mm (in) |
|-----------------------|-----------------------------|
|-----------------------|-----------------------------|

| | |
|------------------|-------|
| 3 – 193,5 | 229,0 |
|------------------|-------|

5 Element construction

C – C-pak (1,3,5,10 & 20 grade)

6 Fluid cleanliness ratings

| Code | Target fluid cleanliness level |
|-----------|--------------------------------|
| 03 | 16/14/12 or better |
| 05 | 18/16/14 or better |
| 10 | 20/18/15 or better |
| 20 | 22/19/16 or better |

This table assumes limited ingress/single pass of pump flow through the element. For detailed assistance, consult Vickers Guide to Systemic Contamination Control or contact you local Vickers Distributor.

Element Dimensions mm

