

Service Data

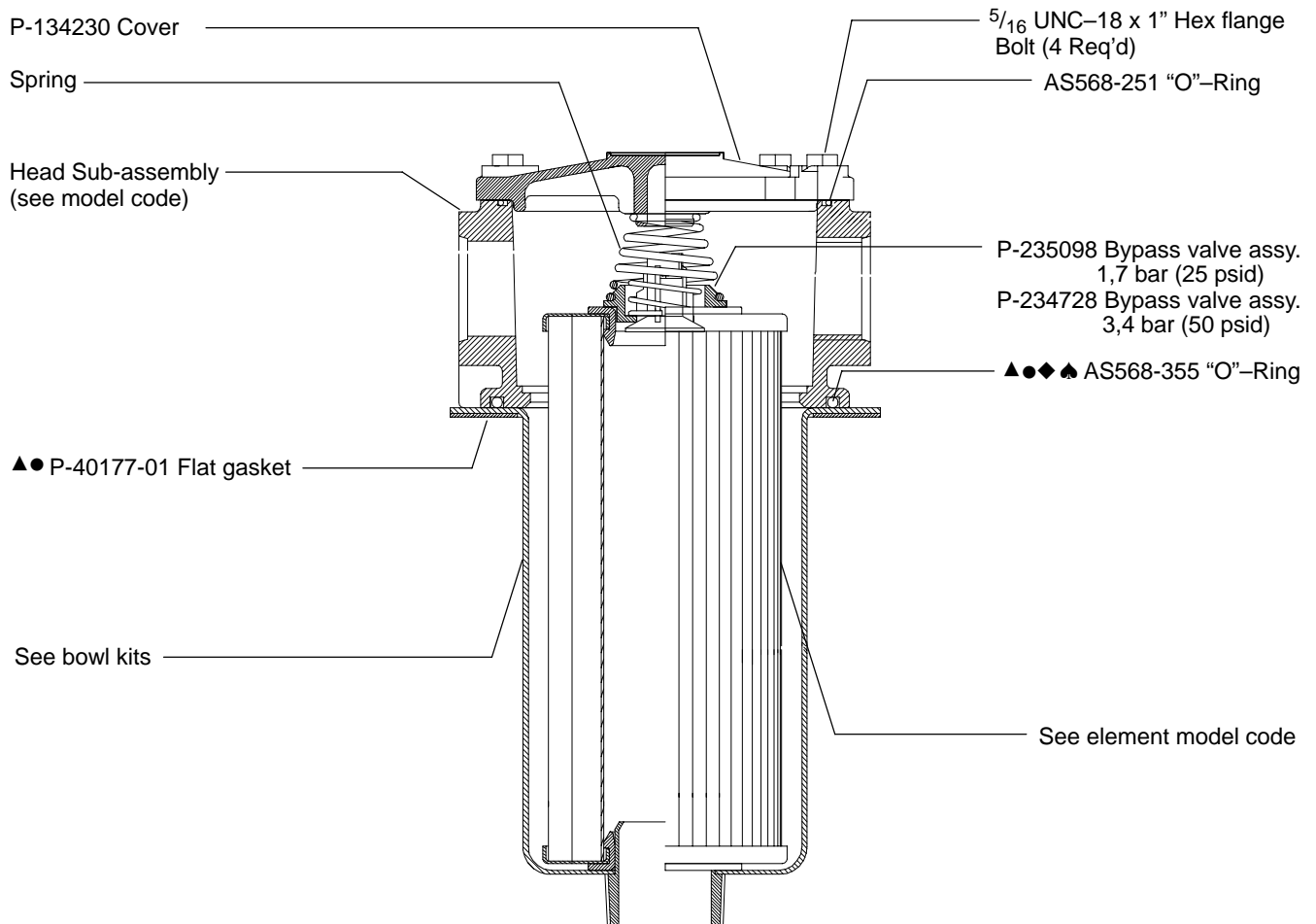
HL16 Series High Performance Low Pressure Filter

Flows to 568 L/min (150 USgpm) 13,8 bar (200 psi)



CAUTION

Before servicing the element, the bleed plug in filter housing must be loosened to relieve hydraulic pressure. This will minimize fluid overflow.



	Bowl length mm (in)	Element code length mm (in)
P-134229-06	431,8 (17.0)	457,2 (18.00)
P-134229-07	670,1 (26.38)	685,8 (27.00)

NOTE: Bowl kits contain Buna-N seals, to order Viton seals, replace **B** in part number with a **V**.

Example:

From: P-134229-06**B**, for Buna.

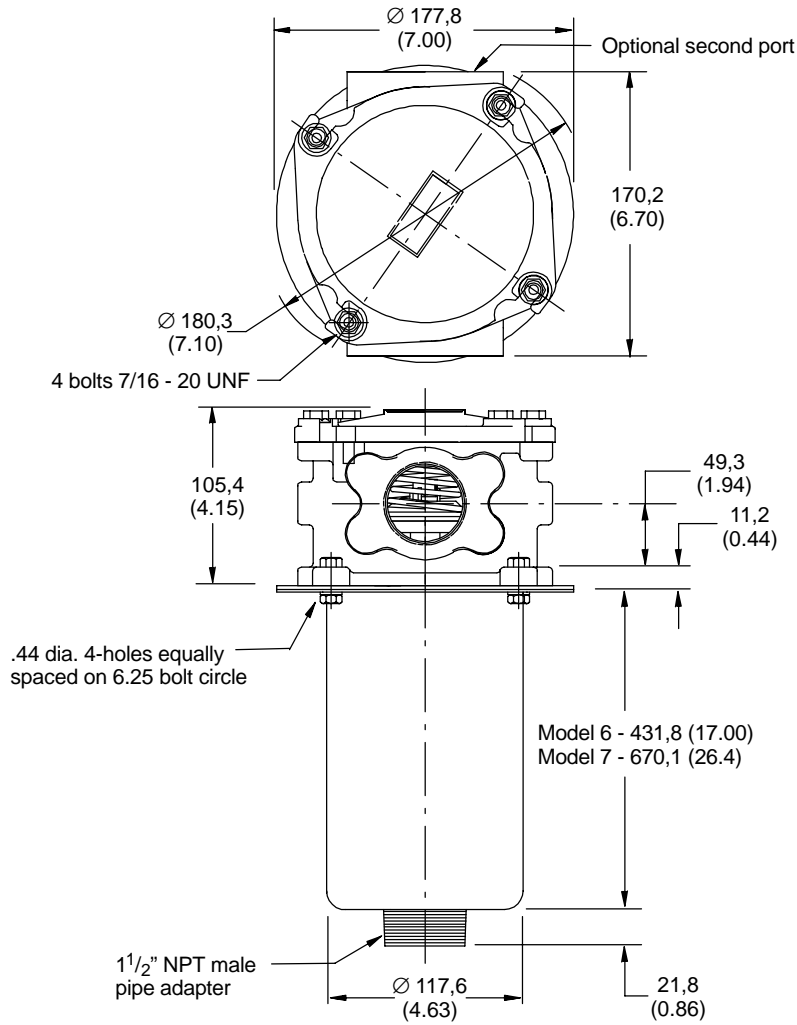
To: P-134229-06**V**, for Viton.

- ▲ Included in seal kit P-233055-01 Buna
- Included in seal kit P-233055-03 Viton
- ◆ Included in Bowl kit P-134229-06
- ♣ Included in Bowl kit P-134229-07

Cylinder kits contain (Bowl, "O" Ring, & Ring holder).

HL16 Housing Dimensions

mm (inch)



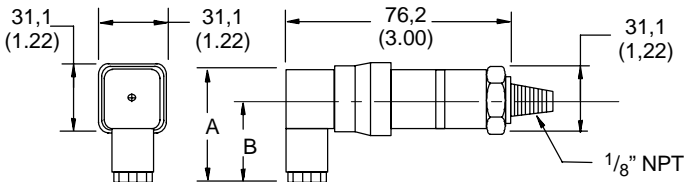
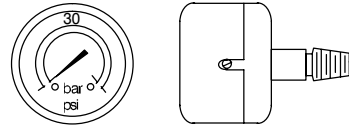
Accessories

Electrical Switch

Brad Harrison 1,2 bar (18 psi) switch	P-234117-01
Brad Harrison 2,4 bar (35 psi) switch	P-234118-01
Switch 1,2 bar (18 psi) DIN	P-233051-01
Switch 2,4 bar (35 psi) DIN	P-233573-01

Gauge

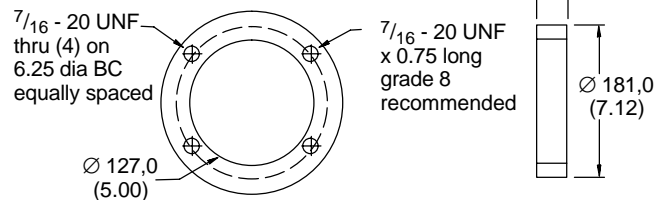
HL16 P-232965-01	0-4,1 bar (0-60 psi) color coded
P-232974-01	0-14 bar (0-200 psi)



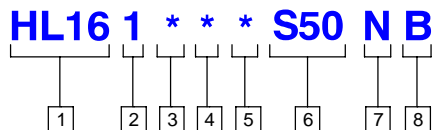
Connector	A	B
DIN 43650	48,2 (1.90)	34,9 (1.37)
Brad Harrison	59,2 (2.33)	45,7 (1.80)

Weld Flange

HL16 P-232964-01



Head Sub Assembly Model Code



1 Filter series

HL16

2 Element collapse rating

1 – 10 bar (150 PSID)

3 Port option

D – 1½" SAE-24 straight thread (SAE-J514)

E – 1½" SAE-J518 split flange Code 61

4 Valve bypass setting

3 – Bypass set at 25 ± 3 PSID cracking pressure

4 – Bypass set at 50 ± 3 PSID cracking pressure

5 Indicator type

1 – No indicator.

6 Bowl length

S50 Head sub assembly

7 Secondary port option

T – 1.875-12 UN SAE-24 straight thread (1½" O.D.tube)

Z – 1½" SAE 4-bolt split flange Code 61.

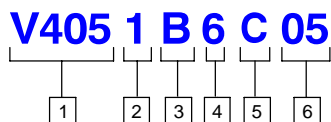
N – No secondary port.

8 Seal material

B – Buna-N

V – Viton-A

Element Model Code



1 Filter element

V405 – For use with HL15, HL16 & H451 series filters

2 Element collapse rating

1 – 10 bar (150 PSID)

3 Seal material

B – Buna-N

V – Viton-A

Viton is a registered trademark of E.I. DuPont

5 Element construction

C – C-pak (grade 01, 03, 05, 10, 20)

E – E-pak (grade 3, 5, 10)

6 Fluid cleanliness ratings

Code	Fluid cleanliness level	Element construction
03	16/14/12 or better	C or E-pak
05	18/16/14 or better	C or E-pak
10	20/18/15 or better	C or E-pak
20	22/19/16 or better	C-pak

4 Bowl length mm (in)

6 – 431,8 (17.0)

7 – 670,1 (26.38)

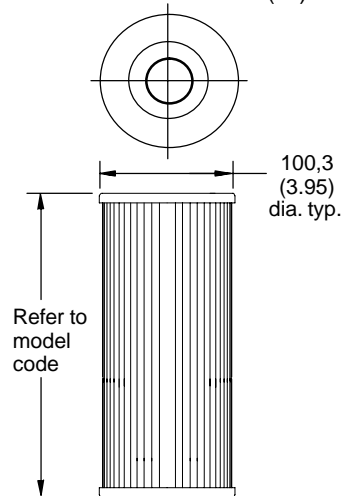
Element code length mm (in)

457,2 (18.00)

685,8 (27.00)

The table above assumes limited ingress and a single pass of pump flow through the element. For more detailed information, please consult Vickers Guide to Systemic Contamination Control **561** or contact your local Vickers Distributor.

Element Dimensions mm (in.)



Eaton Hydraulics

15151 Highway 5
Eden Prairie, MN 55344
Telephone: 612 937-7254
Fax: 612 937-7130
www.eatonhydraulics.com

46 New Lane, Havant
Hampshire PO9 2NB
England
Telephone: (44) 170-548-6451
Fax: (44) 170-548-7110

